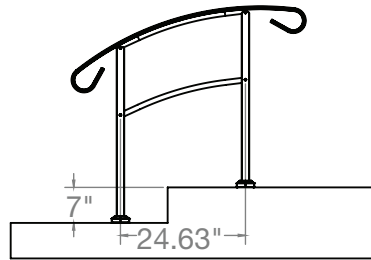


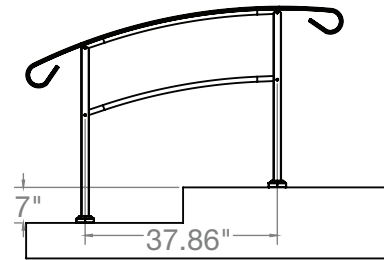
Choose Your HandiRail Based on Your Step Height & Overall Width

The rails are designed for standard 7" treads at 32°, but will rack up to 41° depending on step height and width. Wider steps will probably require a longer rail. Be sure to check measurements before purchase.

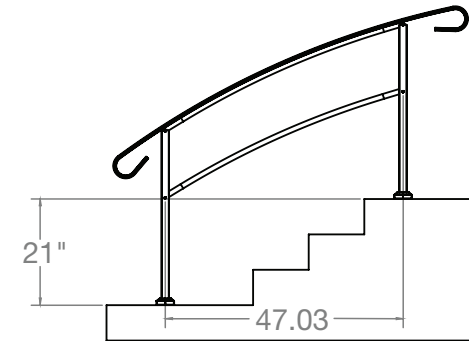
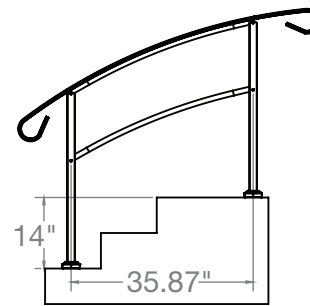
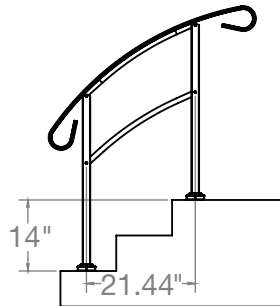
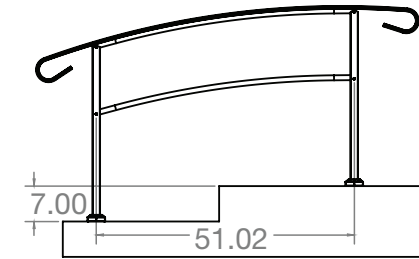
3-Step (Small)



4-Step (Medium)



5-Step (Large)



Here are several examples of how the HandiRail fits on a variety of stair sizes.

It can also be used on a level surface if desired.

