



HandiRail™ Aluminum Rail Kit

INSTALLATION INSTRUCTIONS

▲ WARNING:

- Improper installation of this product can result in personal injury. Always wear safety goggles when cutting, drilling and assembling the product.
- Incorrect installation may cause harm to the product or individual.
- Not pool code approved.

NOTICE:

- DO NOT attempt to assemble the kit if parts are missing or damaged.
- DO NOT return the product to the store. For assistance or replacement parts call: 1-877-279-4496.

TOOLS/MATERIALS NEEDED:

| | |
|--|----------------------|
| | Tape Measure |
| | Level |
| | Drill |
| | Safety Glasses |
| | Masonry Drill Bit |
| | Phillips Screwdriver |

FASTENERS NEEDED:

FOR CONCRETE:

| | |
|---|------------------------------------------------|
| 8 | 1/4" x 3 1/4" Zinc Plated Masonry Fasteners |
|---|------------------------------------------------|

OR

| | |
|---|------------------------------------------------|
| 2 | 1/2" -13TPI x 12" Zinc Plated Threaded Rods |
|---|------------------------------------------------|

FOR WOOD:

| | |
|---|-----------------------------------------|
| 8 | 3/8"x5" External Hex Head Lag Screws |
|---|-----------------------------------------|



Read all instructions prior to installing product.

Refer to manufacturers safety instructions when operating any tools.

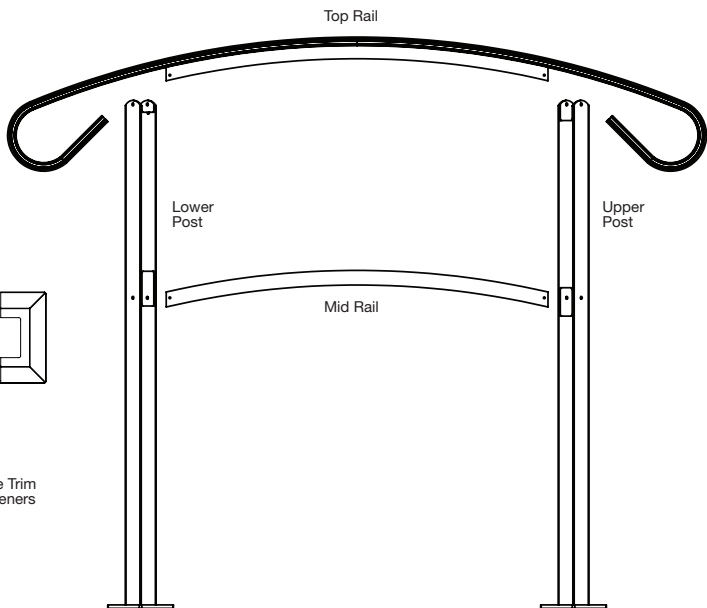
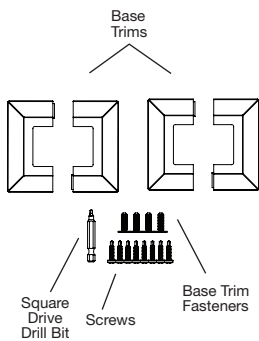
To register your product, please visit:

www.tuffbilt.com

Railing

Components:

| QTY. | Description |
|------|---------------------|
| 1 | Top Rail |
| 1 | Mid Rail |
| 1 | Upper Post |
| 1 | Lower Post |
| 2 | Base Trims |
| 8 | #8 x 3/4" Screws |
| 4 | Base Trim Fasteners |



1

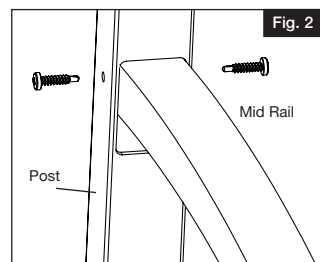
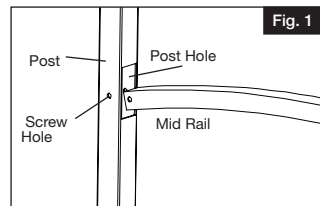
Attach Mid Rail to Posts:

- Insert the ends of the curved mid rail into the holes of each post making sure holes in rail align with holes in post (Fig. 1).

NOTE:

The screw holes on the **upper post** are oriented closer to the top of the rail hole, while the screw holes on the **lower post** are oriented closer to the bottom of the rail hole. **Upper** and **Lower** posts are marked underneath mounting plate.

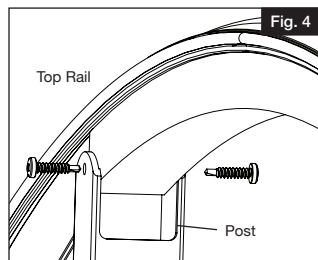
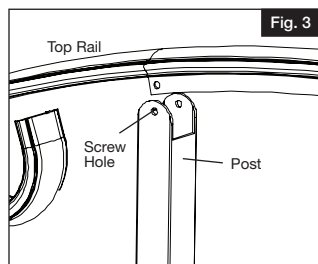
- Drive #8 x 3/4" self-tapping screws into post holes and through rail holes (one on each side). Do not tighten completely (Fig. 2). Do for both top and bottom posts.



To obtain and review a copy of the warranty please go to: BarretteOutdoorLiving.com/warranty. You can also contact 1-877-279-4496 or write to Barrette Outdoor Living, 7830 Freeway Circle, Middleburg Heights, Ohio 44130 to obtain a copy of the warranty.

2**Attach Top Rail With Curved Ends to Posts:**

- a. Insert the ends of the top rail on top of each post making sure holes in rail align with holes in post (Fig. 3).
- b. Drive #8 x 3/4" self-tapping screws into post holes and through rail holes (one on each side). Do not tighten completely (Fig. 4). Do for both top and bottom posts.

**3****Attach Section to Stair:**

- a. Position your assembled panel on steps to location as desired (Fig. 5).
- b. Connect your post to the stairs. There are two options to do this:

Option 1 (Concrete or Wood):

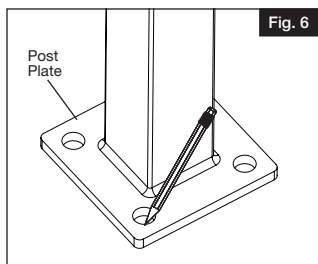
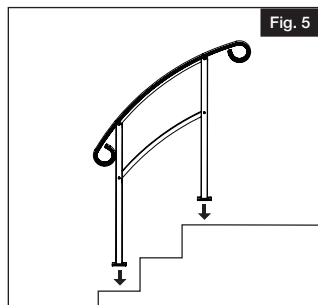
Using the four provided holes in the base plates:

- Mark holes through the mounting plates of posts (upper and lower) onto the mounting surface (Fig. 6) and follow masonry anchor manufacturer's installation instructions for proper drilling technique.

NOTE:

For Concrete, use four (4) 1/4" x 3 1/4" zinc plated masonry screws (sold separately).

For Wood, use four (4) 3/8" x 5" external hex head lag screws (sold separately).

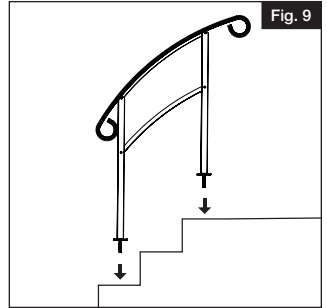
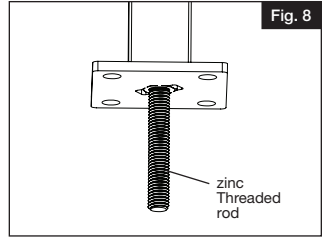
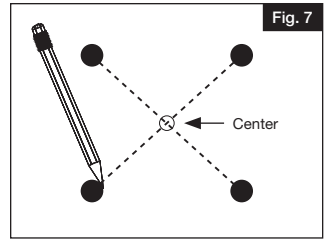


(continued on back page)

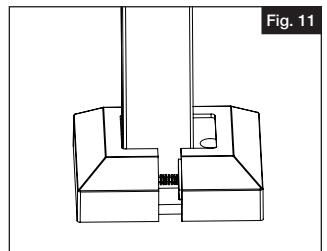
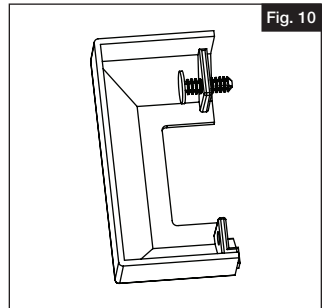
3**Option 2 (Concrete Only):**

Using the ½" threaded hole under the base plates:

- Determine center of each post. Do this by marking holes through the mounting plates of posts (upper and lower) onto the mounting surface (Fig. 6).
- Remove the rail section and posts. Then, from the those marks just made, draw an "X" and where the lines cross is the center (Fig. 7).
- Drill a hole at the center marks with a ½" drill bit 3¾" deep.
- Clean out hole and fill about ½ of hole with anchoring adhesive.
- Use a ½" x 13 TPI x 12" zinc threaded rod (sold separately), thread it into the hole on the bottom of the post plates until about 3½" remain extended out under the post (Fig. 8).
- Place rail section into place, being sure that the rods fit completely into previously drilled out holes (Fig. 9).

**4****Finishing:**

- Tighten top & mid rail screws.
 - Place base trim around both posts.
- c. Assemble the two-piece post trim covers by inserting one fastener in each trim half (Fig. 10). Snap these in place concealing the post plate (Fig. 11).

**BARRETTE OUTDOOR LIVING**

7830 FREEWAY CIRCLE
MIDDLEBURG HEIGHTS, OHIO 44130

TEL: 877-279-4496
WWW.TUFFBILT.COM

